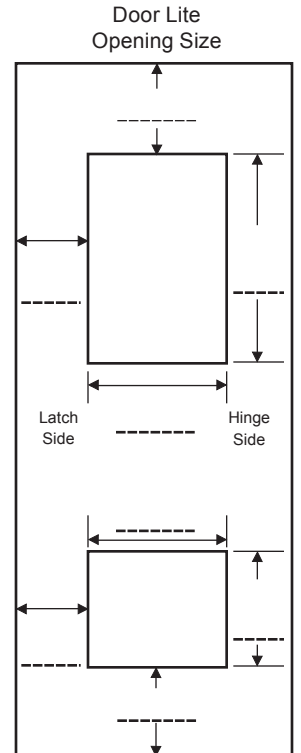
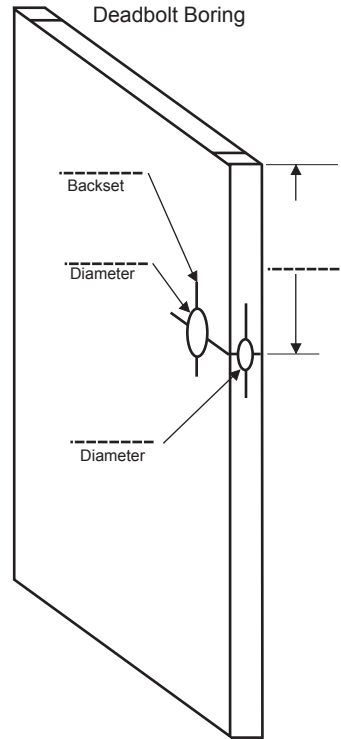
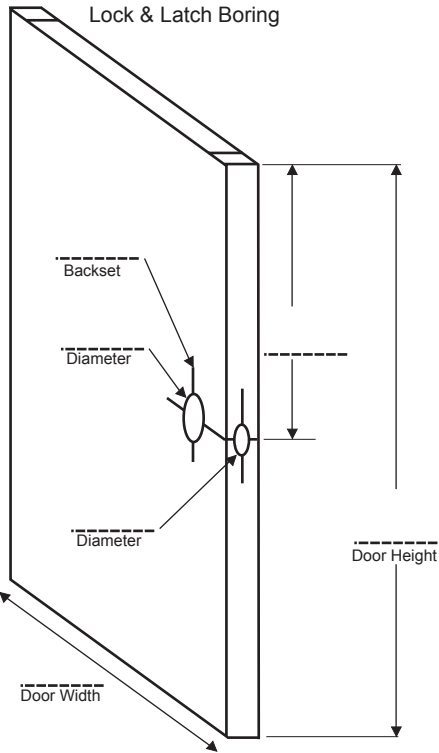
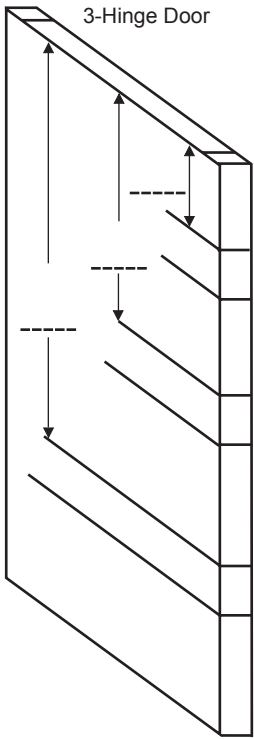


3-Hinge Machining Form

OrderOne #	Line #	Job Name
------------	--------	----------



Vent Opening
Opening Size



Hinged Left
Hinges are on the left
of the door as it
swings toward you.

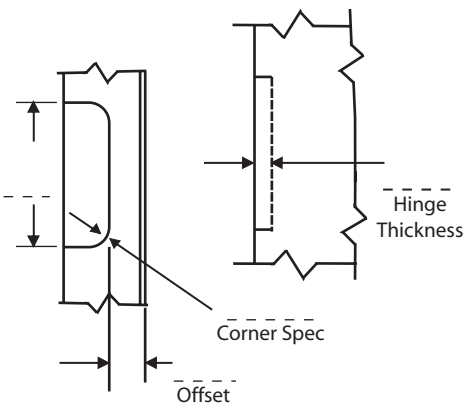


Hinged Right
Hinges are on the right
of the door as it
swings toward you.

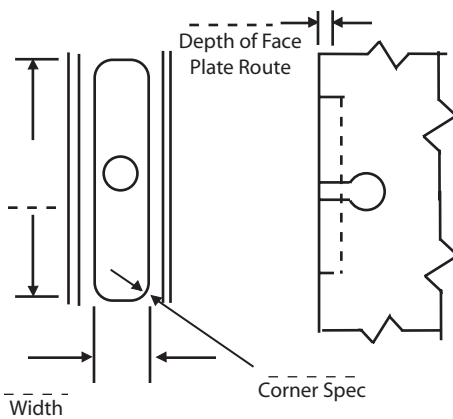
Quantity

Quantity

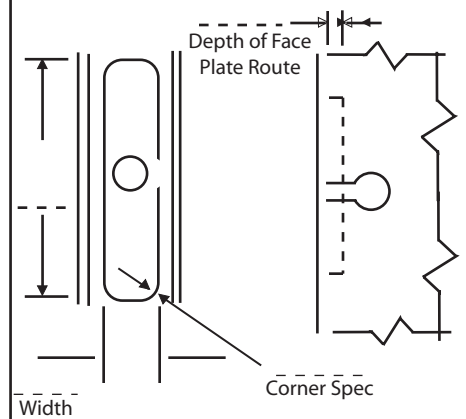
Hinge Routing



Latch Face Plate



Dead Bolt Plate



Notes